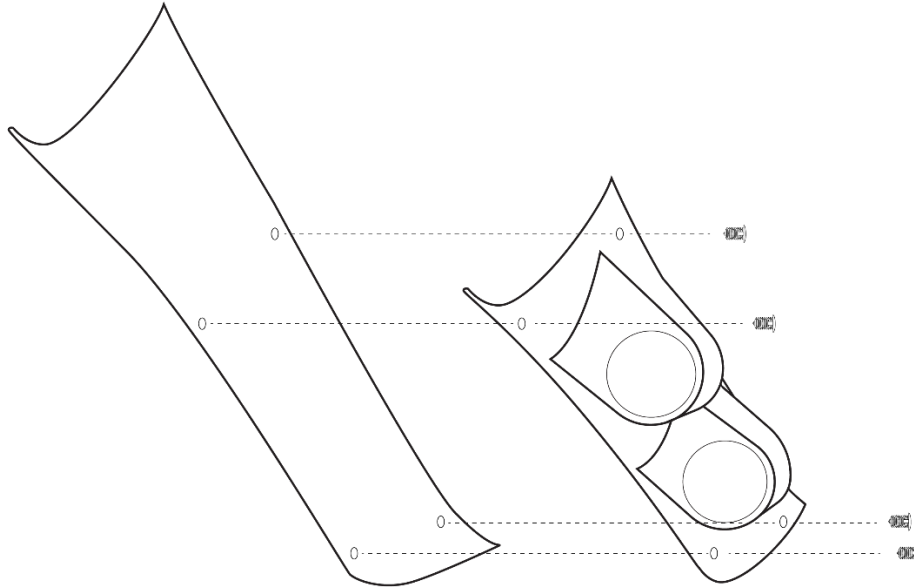




Dual Gauge Pillar Pod Mounting Instructions



- 1. Prior to installing this full size gauge pod, be sure that your vehicle does not have side curtain airbags.**
- Test fit your gauge pod up to your vehicle's factory A-pillar trim in the location where you are planning to mount it.
Note: Make sure that there is plenty of clearance between the pod and the dash.
- Use a scoring tool to mark the location on your factory A-Pillar where you plan to mount your gauge pod with the included flush mount push in fasteners.
- Carefully remove the factory A-pillar from your vehicle.
 - We strongly recommend referring to your vehicle's repair manual for the proper procedure on removing this piece.
- Our gauge pods can be painted using ABS plastic paint. If you decide to paint your gauge pod, be sure to scuff the surface of the pod using a scuff pad. This will allow the paint to properly adhere to the surface of the pod. Before applying paint to the gauge pod, make sure that it is cleaned off and there is no residue on the pod from scuffing it. Apply 2-3 even coats, waiting 10 minutes between coats to dry.
 - Be sure to follow the paint manufactures instructions while painting as well as follow proper safety procedures.
 - Be advised, if you decide to paint this pod, you will not be eligible to return it for a refund.
- Install your gauges into the pod by following the instructions that are included with them. Once your gauges are installed, place the gauge pod against your factory A-pillar to see how much clearance is available for both the gauges and wire harnesses.
 - It may be necessary to drill a hole in your factory A-pillar to allow the wires from the gauge to pass through.
- Connect the gauge wires to the power and sensor wires as per the instructions that are included with your gauges.
- With the gauge pod placed on the factory A-pillar, make sure it is properly aligned with the scoring marks you made in step 2 and drill a 7/32" hole at the marked locations through the pod and the factory a-pillar.
- Install the gauge pod to your factory A-pillar using the provided fasteners by pressing them firmly in until they are flush.
 - If you do not want to use the provided fasteners, you can also use Velcro or double-sided tape to mount the gauge pod to your A-pillar.
- In the event you have to remove the pillar pod from the factory trim, carefully remove the fasteners using a panel pop tool.
- Reinstall your vehicle's factory A-pillar in your vehicle with the installed gauge pod.

All MaxTow Products are subject to the MaxTow Limited Warranty. Please visit <https://www.maxtow.com/warranty-policies> to review complete Warranty, Terms, and Conditions.